



# PRICE LIST REFERENCE GUIDE

Effective: 12/1/96

© 1996 TEAM LOSI, INC.

NOT RESPONSIBLE FOR TYPOGRAPHICAL ERRORS.

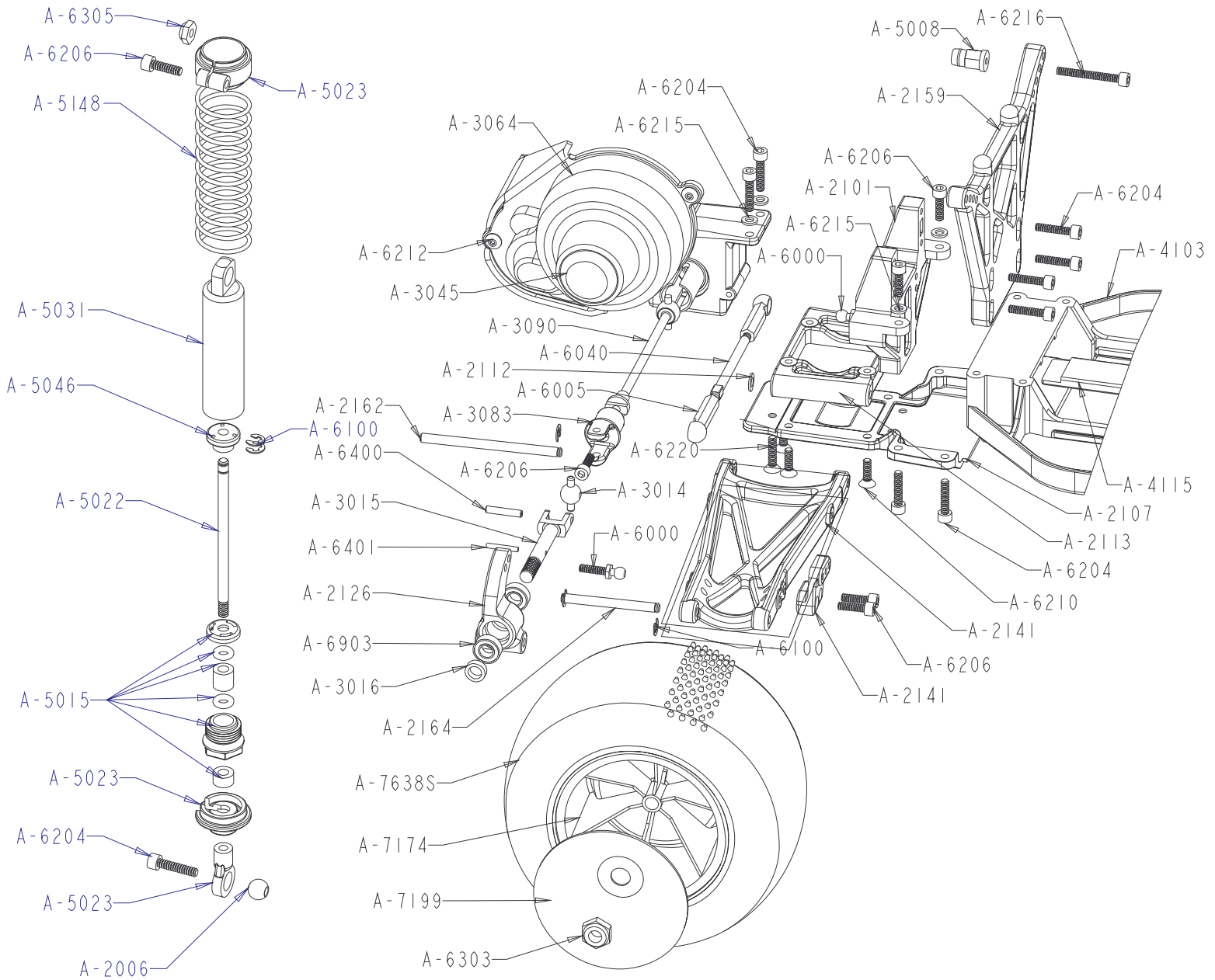
ALL PRICES SUBJECT TO CHANGE WITHOUT NOTICE

## TEAM LOSI PERFORMANCE

## CHOICE OF CHAMPIONS

A-0071	Double-XT 'CR' Kit w/Bearings, Slipper & Hydra-Drive	1	\$359.95
A-1101	Front Bulkhead (XX,XXT)	1	5.00
A-1102	Front Bulkhead Brace for Inner Pin (XXT)	1	2.00
A-1108	Front Shock Tower (XXT)	1	6.00
A-1115	Front Suspension Arms (XXT)	2	7.50
A-1125	Front Spindles & Carriers (XXT)	4	6.00
A-1136	Front Axles (XXT)	2	6.00
A-1141	Pin Set for Front Bulkhead (upper & lower)	2	3.00
A-1149	Front Outer & King Pins 3/32" (XXT)	2	3.00
A-1602	Adjustable Steering & Servo Mount Set	1	6.00
A-1610	Steering Hardware Set (XX,XXT)	4	3.50
A-1615	Short Ball Cups & Threaded Rod (XX,XXT)	1	2.75
A-2005	Adjustable L/R Threaded Rods w/ends (1.125")	2	4.50
A-2006	Swivel Suspension Balls .250"	8	4.00
A-2007	Hinge Pin 1.42" (XXT)	2	3.00
A-2012	Assembly Wrench	1	1.50
A-2101	Rear Bulkhead	1	5.00
A-2107	'CR' Rear Pivot Plate	1	4.00
A-2112	'CR' Rear Pivot Block 0°	1	3.50
A-2113	'CR' Rear Pivot Block 2°	1	3.50
A-2126	'CR' Rear Hub Set	2	6.00
A-2141	'CR' Rear Suspension Arms (XXT)	2	8.50
A-2159	'CR' Rear Shock Tower (XXT)	1	6.00
A-2162	'CR' Rear Inner Hinge Pins	2	3.00
A-2164	Outer Rear Hinge Pins	2	3.00
A-3014	Universal Pivots	2	4.50
A-3015	Rear Axle, Spacer & Pin	1	6.00
A-3016	Rear Axle Spacers	2	1.25
A-3045	Slipper Gear Cover Plug	4	1.50
A-3059	Trans Case Set 2.61:1 (XXT)	2	6.00
A-3060	Slipper Shaft, Spacer & Hardware	1	5.50
A-3061	Transmission Screw Set	4	2.00
A-3063	Motor Plate	1	8.00
A-3064	Gear Cover & Plug	1	2.50
A-3065	Silicone Differential Compound	1	2.50
A-3070	Differential Drive Rings	2	2.00
A-3071	Differential Thrust Bearing Assy	1	6.75
A-3072	Diff Tube	1	2.25
A-3073	Outdrive Cup	1	7.00
A-3076	Diff Gear only 2.61:1	1	2.00
A-3077	Upper Gear, Etc 2.61:1	1	6.00
A-3078	Diff Screw,Hardware & Seal	7	3.50
A-3080	Idler Gear 2.61:1	2	3.50
A-3083	Yoke & Screw for Dogbone/DriveShaft	2	3.50
A-3090	Dog Bone / DriveShaft w/Yoke (XXT)	1	8.50
A-3119	Hydra-Drive Housing Set	1	14.95
A-3122	Hydra-Drive / Friction Slipper Gear Plate	1	6.00

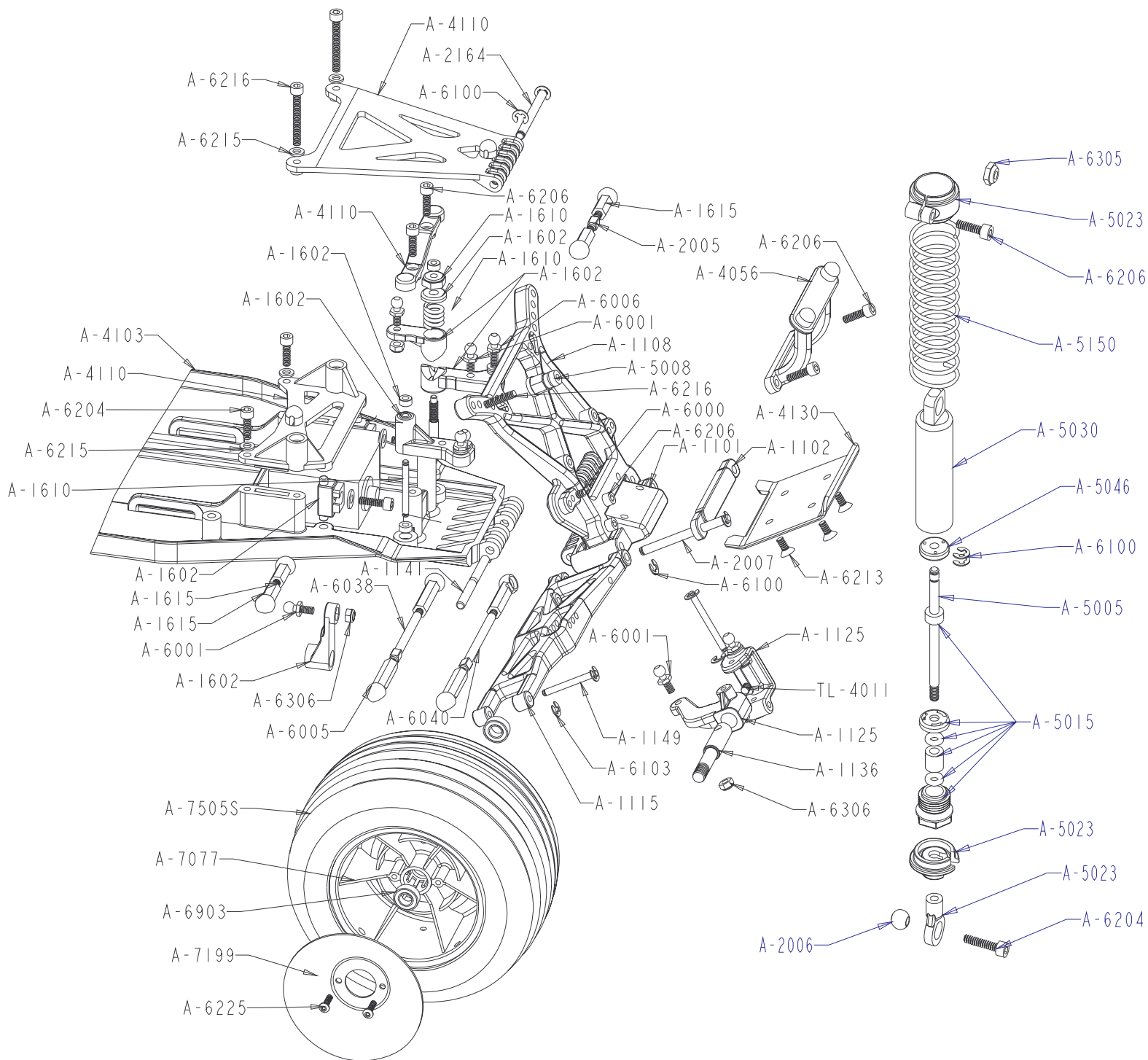
A-3123	Hydra-Drive / Friction Slipper Pad	1	3.00
A-3124	Hydra-Drive Slipper Spring, Cup, Spacer & Washer	1	3.00
A-3125	9/16" x 1/4" Thrust Bearing Assy	1	2.50
A-3126	Hydra-Drive Fluid "Standard"	1	3.00
A-3130	Hydra-Drive Rebuild Kit	1	9.95
A-3132	Slipper Back Plate (XX,XXT)	1	6.00
A-3908	88T Hydra-Drive / Slipper Gear	1	3.50
A-4002	Antenna Kit	1	2.25
A-4003	Antenna Caps	8	1.25
A-4004	Servo Tape	6	1.75
A-4010	Battery Strap Set	2	2.75
A-4015	Foam Battery Block Set (XX,XXT)	2	2.50
A-4056	Front Body Mount (XXT)	1	2.50
A-4103	Main Chassis (X-Long) w/Braces (XXT)	1	25.95
A-4110	Chassis Brace Set (XX,XXT)	1	6.00
A-4115	Battery Hold-Down Strap X-Long(XXT)	1	3.00
A-4130	Front Bumper (XX,XXT)	1	3.00
A-5005	Shock Shaft .9"	1	3.00
A-5008	Upper Shock Mount Bushing	4	2.00
A-5015	Double O-Ring Shock Cartridge	1	2.00
A-5022	Shock Shaft 1.2"	1	3.00
A-5023	Spring Clamps & Cups	2	2.50
A-5030	.9" Shock Body Hard Anodized	1	8.00
A-5031	1.2" Shock Body Hard Anodized	1	8.00
A-5046	Teflon Shock Pistons #56 (Red)	4	3.00
A-5148	2.75" Spring 2.0 Rate (Yellow)	2	2.50
A-5150	2.5" Spring 2.3 Rate (Pink)	2	2.50
A-5224	SILATECH Competition Shock Fluid 350 / 30 wt	1	3.50
A-6000	Studded Balls w/Rod Ends 4-40 X 3/8"	4	3.50
A-6001	Studded Balls w/Rod Ends 4-40 X 3/16"	4	3.50
A-6003	Foam Things (Linkage Rings)	8	1.50
A-6005	H.D. 30° Plastic Rod Ends	16	5.00
A-6006	Studded Balls w/Rod Ends 4-40 X 1/4"	4	3.50
A-6038	Adjustable Threaded L/R Rod Set w/ends 2.25"	2	4.50
A-6040	Adjustable Threaded L/R Rod Set w/ends 2.5"	2	4.50
A-6100	E-Clips 1/8"	12	1.25
A-6102	C-Clips 3/16"	12	1.75
A-6103	E-Clips 3/32"	12	1.25
A-6201	3mm x 8mm Socket Head w/Washers (Motor)	10	3.00
A-6204	4-40 x 1/2" Socket Head	10	1.50
A-6206	4-40 x 3/8" Socket Head	10	1.50
A-6210	4-40 x 3/8" Flat Head Socket	10	1.50
A-6212	4-40 x 1/8" Button Head	4	1.25
A-6213	4-40 x 1/4" Flat Head Socket	6	1.25
A-6215	#4 Narrow Washers	10	1.25
A-6216	4-40 x 7/8" Socket Head	10	1.50
A-6220	4-40 x 1/2" Flat Head Socket	6	1.50



### **The easy access modular rear end**

Features wide-based, extra-long and rigid suspension arms, strong hub carriers, and multi-adjustable bulk-head. The ultra-stiff components provide critical suspension alignment and maintain proper suspension geometry. This well engineered system offers easy access for routine service and quick adjustments.

A-6223	4-40 x 1" Socket Head .....	6	2.00
A-6224	#4 Nylon Filler Screws & Washers for Hydra-Drive .....	6	2.00
A-6225	2-56 x 5/16" Button Head (Slipper, Wheel Disks) .....	10	2.00
A-6228	5-40 x 1/8" Hardened Set Screws .....	10	1.80
A-6230	Shim Assortment - 3/16", 1/4", 1/2" .....	20	2.50
A-6303	10-32 Nylon Locking Nuts (4ea. Nylon & Steel) .....	8	1.50
A-6305	4-40 Locking Nuts Low Profile .....	10	3.50
A-6306	4-40 Aluminum Mini Nuts .....	10	3.50
A-6400	Pins, U-Joint .....	8	1.25
A-6401	Pins, Wheels & Gear .....	4	1.25
A-6903	3/16" x 3/8" Bearings .....	2	5.50
A-6905	3/16" x 5/16" Bearings (Slipper) .....	2	7.50



A-6907	5mm x 8mm Bearings (XX Trans,Retrofit) .....	2	6.50
A-6908	1/2" x 3/4" Bearings w/Teflon Seal (XX Trans) .....	2	13.50
A-6909	1/8" x 3/8" Bearings (XX Trans) .....	2	6.00
A-6951	3/32" Carbide Balls .....	12	10.95
A-7077	Front Disc Wheels w/Caps (Yellow) (XXT) .....	2	7.00
A-7174	Rear Disc Wheels w/Caps (Yellow) (LXT,XXT) .....	2	7.00
A-7199	Disc Wheel Cap Set (XXT) .....	4	4.00
A-7505S	Front DIRECTIONAL Tires w/Foam Liners (Silver) .....	2	17.95
A-7638S	Rear IFMAR PIN (Silver) w/Foam Liners .....	2	17.95
A-8017	XXT 'CR' Truck Body .....	1	19.00
A-8200	Body Clips .....	12	1.25
A-8318	XXT 'CR' Sticker Sheet .....	1	3.00

### Exclusive Swing-Away front end

Construction features extreme rigidity and exceptionally easy access to the fully proportional bellcrank steering with helical design servo saver. Computer optimized ackerman and bump-steer provide positive steering for consistent performance.

# TEAM LOSI

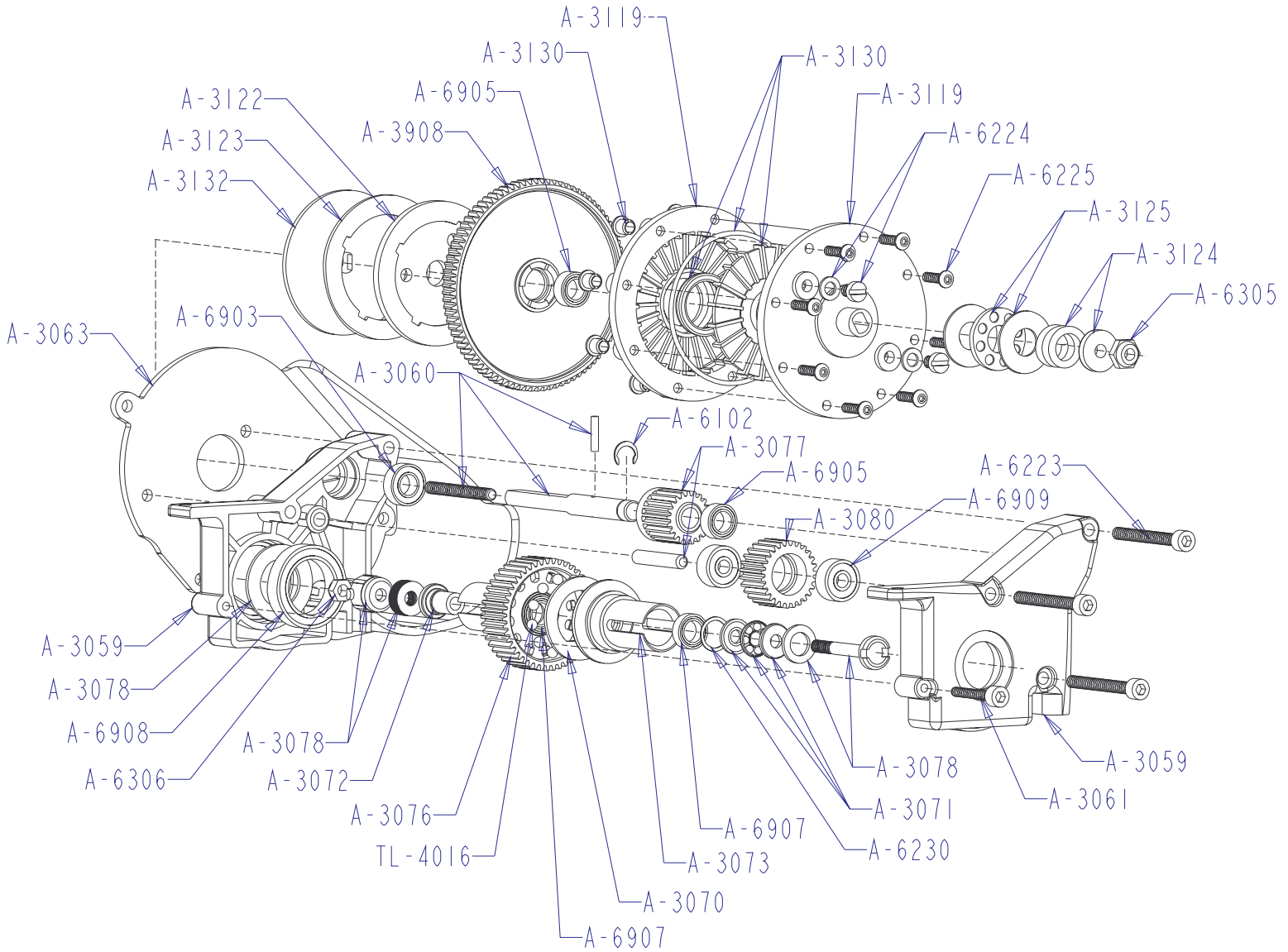
## Racing

13848 Magnolia Ave., Chino, CA 91710  
 Phone: (909) 465-9400 / Fax: (909) 590-1496  
<http://www.teamlosi.com>

# TEAM LOSI

# XXT

## CR



### The Double-XT "Laydown" transmission

includes carbide balls, precision-grooved thrust assembly, hardened and polished diff rings and Teflon sealed outdrive bearings. The low CG design and precise gear profiles provide quicker acceleration and handling. The patented Hydra-Drive® is included for the ultimate in power handling and traction control.

### Optional Parts For Double-XT 'CR' Truck

A-2112	'CR' Rear Pivot Block 0° .....	1	3.50
A-4140	Sway Bar Kit .....	4	9.95
A-9709	Graphite/Composite Front Arms .....	2	12.50
A-9721	Graphite/Composite Front Shock Tower .....	1	9.95
A-9809	Graphite/Composite Rear Arms .....	2	12.50
A-9810	'CR' Graphite/Composite Rear Arms (XXT) .....	2	13.95
A-9821	Graphite/Composite Rear Shock Tower .....	1	9.95
A-9830	Graphite/Composite Rear Pivot Plate .....	1	6.50
A-9900	Graphite/Composite Chassis Brace Set .....	1	11.00
A-9904	Graphite/Composite X-Long Chassis w/Braces .....	1	49.95
A-9909	Graphite/Composite Battery Hold-Down (Extra Long) .....	1	5.00
A-9920	Machined Lite Weight/Anodized Motor Plate .....	1	11.95
A-9932	Alum. Gear/Slipper Shaft 2.61:1 Ratio Hard Coated .....	1	11.95
A-9941	Bearing spacer / thrust plate set .....	2	9.95